

1977

FIAT 124 SPIDER

Wiring Diagrams

Bradley Artigue

1st Edition

TABLE OF CONTENTS

1	FUSE A (1/2)	FAST IDLE CIRCUIT, DIVERTER VALVE BY PASS CIRCUIT, FUEL, OIL, AND WATER GAUGES AND INDICATORS, TACHOMETER, AND STOP LIGHTS
2	FUSE A (2/2)	TURN SIGNALS, BACK UP LIGHTS, FASTEN BELTS INDICATOR AND RELAY, E.G.R BYPASS CIRCUIT AND HANDBRAKE ON AND BRAKE FLUID LEVEL WARNING CIRCUIT
3	FUSE B	WINDSHIELD WASHER/WIPER AND HEATER FAN
4	FUSES C, D, E, F	HEADLIGHTS, HIGH AND LOW
5	FUSES G, H	PARKING AND SIDE MARKER LIGHTS AND INSTRUMENT CLUSTER LIGHTS
6	FUSES I, L	ENGINE COOLING FAN AND HORNS, HAZARD WARNING LIGHTS, COURTESY LIGHT, CLOCK, CURRENT RECEPTACLE, CIGARETTE LIGHTER, POWER ANTENNA SWITCH AND MOTOR, AND REMOVE KEY AND FASTEN BELTS BUZZERS
7	UNPROTECTED CIRCUITS	STARTING, IGNITION, ALTERNATOR, AND IDLE CUTOFF SOLENOID
8	RELAY CONTROL CIRCUITS	
9	COMPONENT REFERENCE	

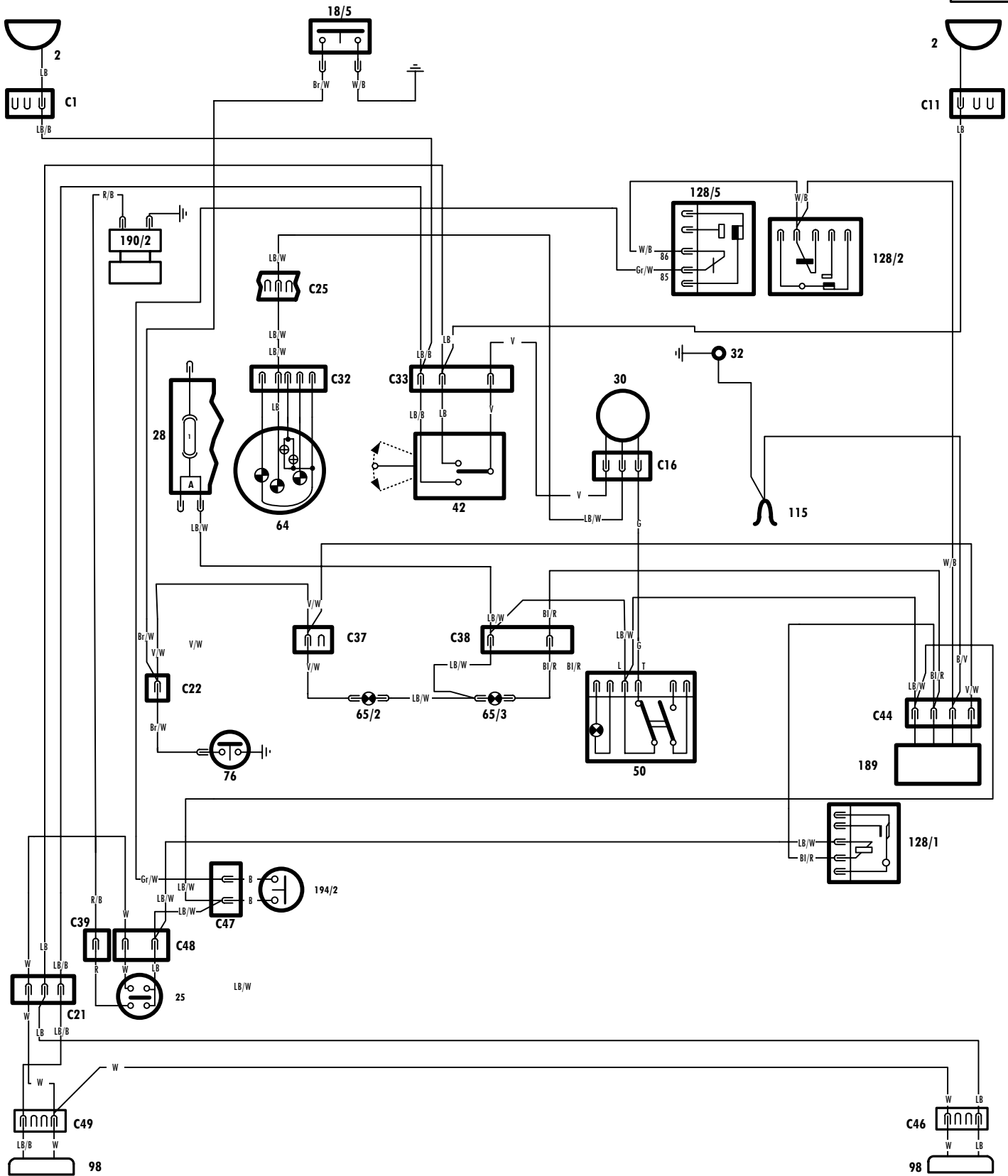
WIRE COLOR CODE REFERENCE

B	BLACK	Bl/R	BLUE/RED	P/B	PINK/BLACK
Bl	BLUE	BR/B	BROWN/BLACK	P/G	PINK/GRAY
Br	BROWN	Br/W	BROWN/WHITE	P/Y	PINK/YELLOW
G	GRAY	G/B	GRAY/BLACK	R/B	RED/BLACK
Gr	GREEN	G/R	GRAY/RED	R/Gr	RED/GREEN
LB	LIGHT BLUE	G/Y	GRAY/YELLOW	R/V	RED/VIOLET
O	ORANGE	Gr/B	GREEN/BLACK	V/W	VIOLET/WHITE
P	PINK	Gr/W	GREEN/WHITE	V/B	VIOLET/BLACK
R	RED	LB/B	LIGHT BLUE/BLACK	W/B	WHITE/BLACK
V	VIOLET	LB/R	LIGHT BLUE/RED	W/R	WHITE/RED
W	WHITE	LB/W	LIGHT BLUE/WHITE	Y/B	YELLOW/BLACK
Y	YELLOW	LB/Y	LIGHT BLUE/YELLOW	Y/R	YELLOW/RED
B/V	BLACK/VIOLET	O/W	ORANGE/WHITE		

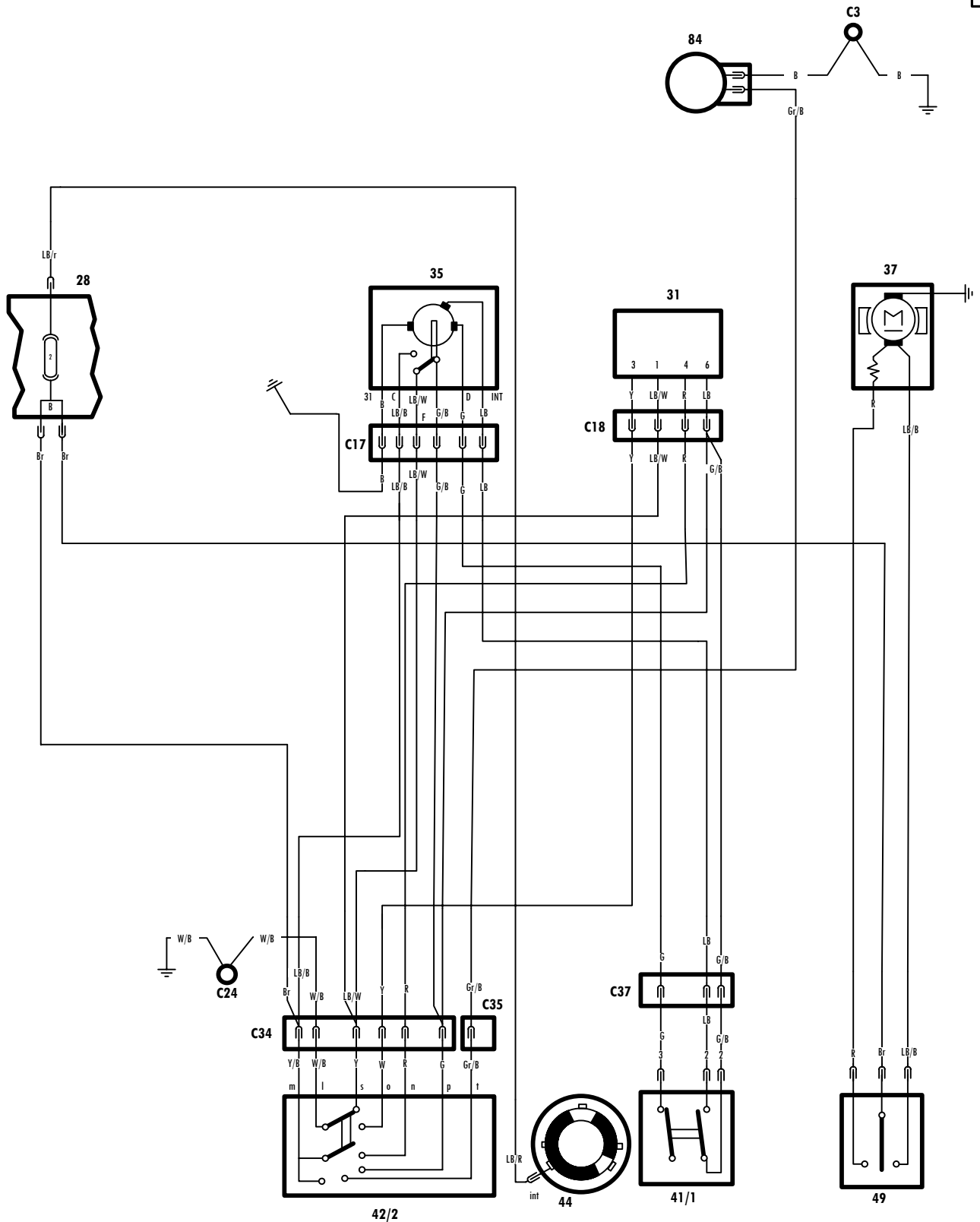
COPYRIGHT © 2006-2008 BRADLEY J. ARTIGUE

This Document Was Released In December Of 2008.

The online home for this document is <http://fiat.artigue.com>

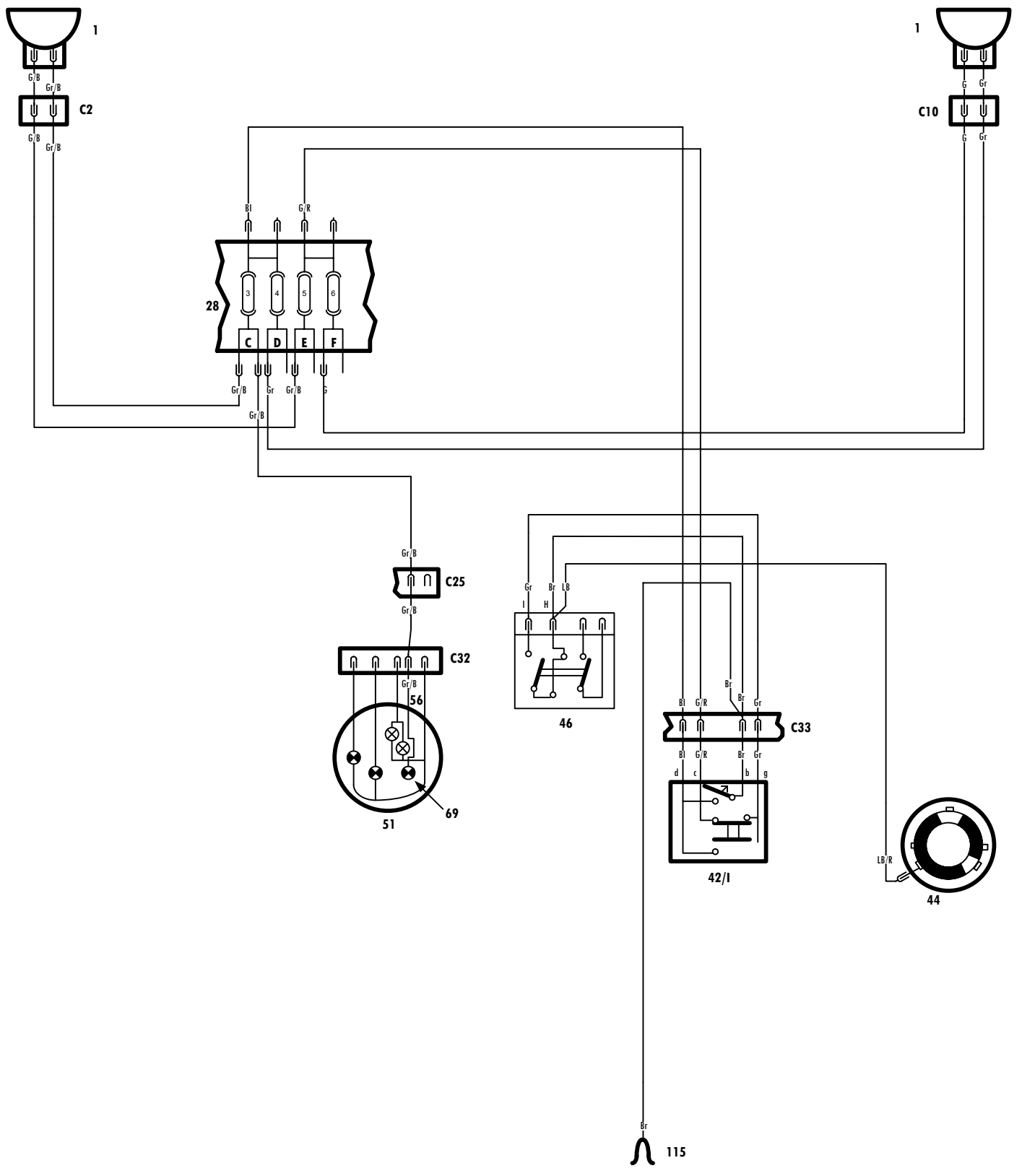


- | | | | | | | | |
|------|---|------|---|------|--|-------|--|
| 1 | Left headlight | 32 | Hazard warning flasher | 62 | Low oil pressure indicator | 126 | Fasten belts and remove key buzzer |
| 2 | Left front parking light | 33 | Water temperature gauge resistor (22 OHM) | 65/1 | Hazard warning indicator | 128/1 | Fasten belts relay |
| 3 | Left front side marker | 36 | Windshield wiper motor | 65/2 | Brake system effectiveness and hand brake ON indicator | 128/2 | Ignition mode relay |
| 5 | Alternator | 37 | Heater fan motor | 65/3 | Fasten belts indicator | 128/5 | Diverter valve by-pass relay |
| 9 | Distributor | 37/1 | Engine fan motor | 66 | Battery charge indicator | 158 | Idle stop solenoid |
| 10 | Coil | 40 | Instruments lights rheostat switch | 67 | Parking light indicator | 161 | Ideogram light |
| 12 | Starter motor | 40/1 | Ideogram lighting potentiometer | 69 | High beam indicator | 189 | Seat belt warning delay switch |
| 14 | Horn | 41/1 | Windshield wiper 2-speed switch | 74 | Cigarette lighter | 190 | Fast idle electrovalve |
| 15 | Horn relay | 42 | Turn signal switch | 76 | Hand brake ON switch | 190/1 | Diverter valve by-pass control valve |
| 17 | Engine water temperature gauge sending unit | 42/1 | Highlow beam changeover switch | 79 | Horn button | 190/2 | EBR by-pass electrovalve |
| 18 | Oil pressure gauge sending unit | 42/2 | Windshield wiperwasher switch | 81 | Current receptacle | 191 | Buttons switch on clutch for fast idle |
| 18/1 | Low oil pressure indicator sending unit | 44 | Ignition switch | 84 | Washer pump motor | 192 | Buttons switch on transmission for fast idle |
| 18/2 | Engine water temperature gauge thermostatic switch | 46 | Outer lighting switch | 85 | Courtesy light with switch | 193 | Fast idle system pushbutton switch |
| 18/4 | Thermostatic switch for ignition mode relay | 49 | Heater fan switch | 87 | Courtesy light jamb switch | 194 | Buttons switch on driver's seat belt |
| 18/5 | Brake fluid level switch | 50 | Hazard warning signal switch with light | 93 | Fuel tank sending unit | 194/2 | Gear engaged button switch |
| 18/6 | Thermostatic switch for diverter valve by-pass system | 51 | Speedometer | 95 | Trunk light | | |
| 23 | Battery | 53 | Oil pressure gauge | 98 | Tail, turn signal, stop and back-up lights unit | | |
| 24 | Back-up lights and 5th gear switch | 54 | Water temperature gauge | 98/1 | Rear side marker lights | | |
| 26 | Stop lights switch | 56 | Tachometer | 99 | License plate light | | |
| 28 | Fuse box | 57 | Fuel gauge | 104 | Thermostatic switch for engine cooling fan | | |
| 28/1 | Fuse, 25A | 59 | Clock | 115 | Radio connection | | |
| 30 | Turn signal flasher | 61 | Fuel reserve indicator | 116 | Power antenna motor | | |
| 31 | Windshield wiper intermittent switch | | | 123 | Power antenna switch | | |



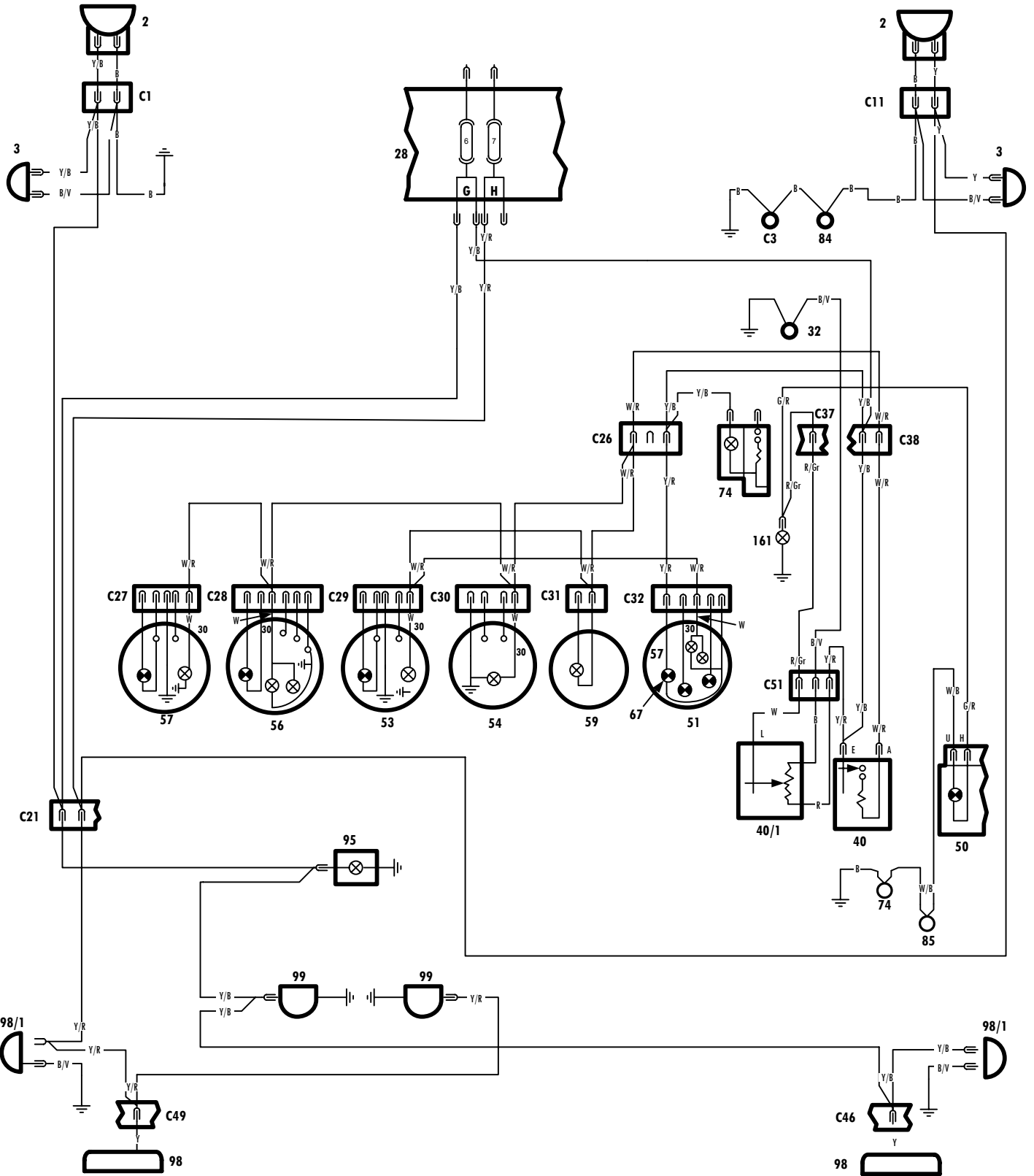
- | | | | | | | | |
|------|---|------|---|------|--|-------|---|
| 1 | Left headlight | 32 | Hazard warning flasher | 63 | Low oil pressure indicator | 126 | Fasten belts and remove key buzzer |
| 2 | Left front parking light | 33 | Water temperature gauge resistor (22 Ohm) | 65/1 | Hazard warning indicator | 129/1 | Fasten belts relay |
| 3 | Left front side marker | 36 | Windshield wiper motor | 65/2 | Brake system effectiveness and hand brake ON indicator | 128/2 | Ignition mode relay |
| 5 | Alternator | 37 | Heater fan motor | 65/3 | Brake system effectiveness and hand brake ON indicator | 128/5 | Diverter valve by-pass relay |
| 9 | Distributor | 37/1 | Engine fan motor | 67 | Battery charge indicator | 158 | Idle stop solenoid |
| 10 | Coil | 40 | Instruments lights rheostat switch | 64 | Parking light indicator | 161 | Idogram light |
| 12 | Starter motor | 40/1 | Idogram lighting potentiometer | 69 | High-beam indicator | 189 | Seat belt warning delay switch |
| 14 | Horn | 41/1 | Windshield wiper 2-speed switch | 74 | Cigarette lighter | 190 | Fast idle electrovalve |
| 15 | Horn relay | 42 | Turn signal switch | 76 | Hand brake ON switch | 190/1 | Diverter valve by-pass control valve |
| 17 | Engine water temperature gauge sending unit | 42/1 | High/low beam changeover switch | 79 | Horn button | 190/2 | ESB by-pass electrovalve |
| 18 | Oil pressure gauge sending unit | 42/2 | Windshield wiper/washer switch | 81 | Current receptacle | 191 | Button switch on clutch for fast idle |
| 18/1 | Low oil pressure indicator sending unit | 44 | Ignition switch | 84 | Washer pump motor | 192 | Button switch on transmission for fast idle |
| 18/2 | Engine water temperature gauge thermostatic switch | 46 | Outer lighting switch | 85 | Courtesy light with switch | 193 | Fast idle system pushbutton switch |
| 18/4 | Thermostatic switch for ignition mode relay | 49 | Heater fan switch | 87 | Courtesy light jamb switch | 194 | Button switch on driver's seat belt |
| 18/5 | Brake fluid level switch | 50 | Hazard warning signal switch with light | 93 | Fuel tank sending unit | 194/2 | Gear engaged button switch |
| 18/6 | Thermostatic switch for diverter valve by-pass system | 51 | Speedometer | 95 | Trunk light | | |
| 23 | Battery | 53 | Oil pressure gauge | 98 | Tail, turn signal, stop and back-up lights unit | | |
| 24 | Back-up lights and 5th gear switch | 54 | Water temperature gauge | 98/1 | Rear side marker lights | | |
| 26 | Stop lights switch | 56 | Tachometer | 99 | License plate light | | |
| 28 | Fuse box | 57 | Fuel gauge | 104 | Thermostatic switch for engine cooling fan | | |
| 28/1 | Fuse, 25A | 59 | Clock | 115 | Radio connection | | |
| 30 | Turn signal flasher | 61 | Fuel reserve indicator | 116 | Power antenna motor | | |
| 31 | Windshield wiper intermittent switch | | | 123 | Power antenna switch | | |

1977 FUSE B

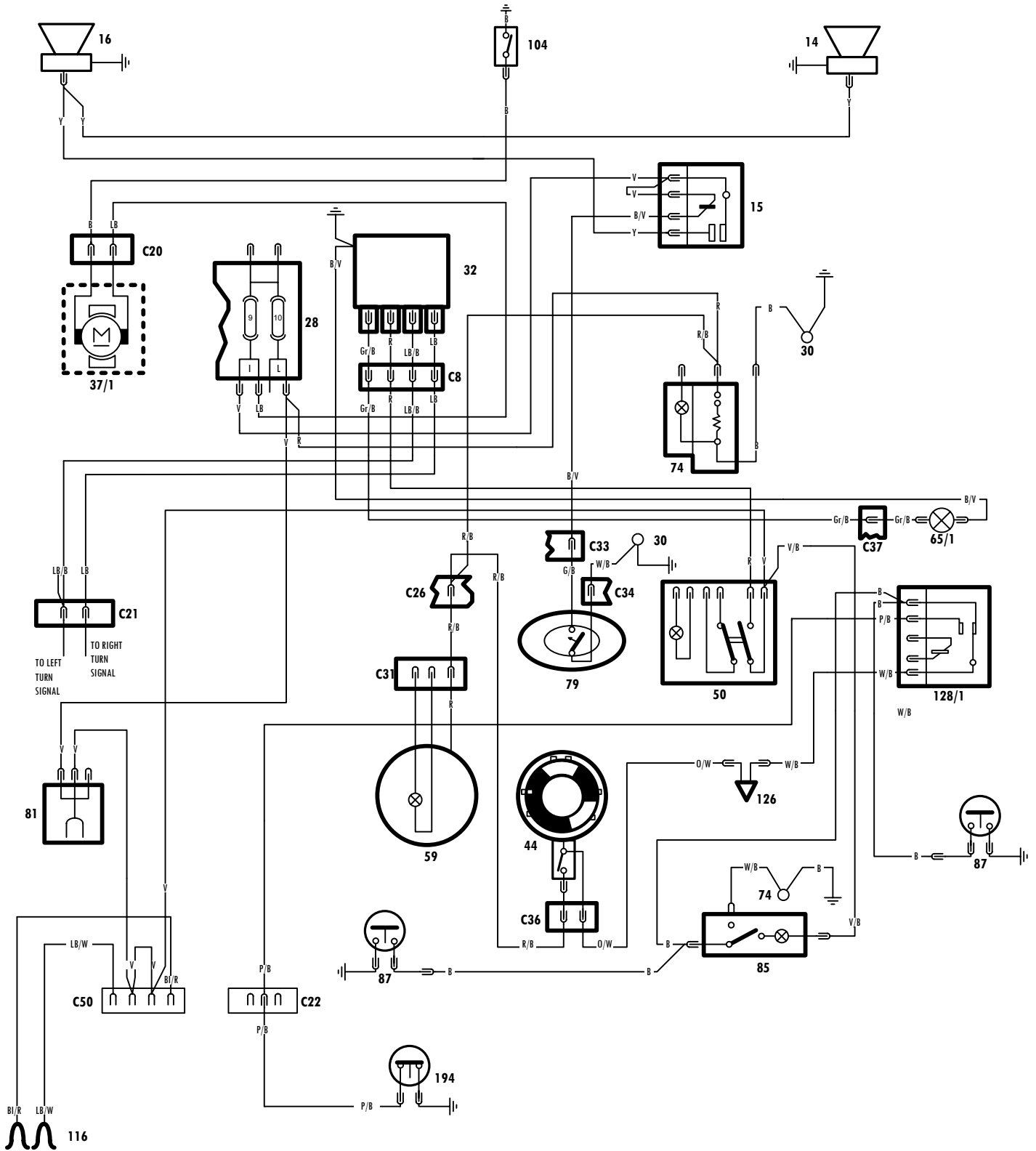


- | | | | | | | | |
|------|---|------|---|------|--|-------|---|
| 1 | Left headlight | 32 | Hazard warning flasher | 63 | Low oil pressure indicator | 126 | Fasten belts and remove key buzzer |
| 2 | Left front parking light | 33 | Water temperature gauge resistor (22 OHM) | 65/1 | Hazard warning indicator | 128/1 | Fasten belts relay |
| 3 | Left front side marker | 36 | Windshield wiper motor | 65/2 | Brake system effectiveness and hand brake ON indicator | 128/2 | Ignition mode relay |
| 5 | Alternator | 37 | Heater fan motor | 65/3 | Fasten belts indicator | 128/5 | Diverter valve by-pass relay |
| 9 | Distributor | 37/1 | Engine fan motor | 66 | Battery charge indicator | 158 | Idle stop solenoid |
| 10 | Coil | 40 | Instrument lights rheostat switch | 67 | Parking light indicator | 161 | Ideogram light |
| 12 | Starter motor | 40/1 | Ideogram lighting potentiometer | 69 | High beam indicator | 169 | Seat belt warning delay switch |
| 14 | Horn | 41/1 | Windshield wiper 2-speed switch | 74 | Cigarette lighter | 190 | Fast idle electrovalve |
| 15 | Horn relay | 42 | Turn signal switch | 76 | Hand brake ON switch | 190/1 | Diverter valve by-pass control valve |
| 17 | Engine water temperature gauge sending unit | 42/1 | High/low beam changer switch | 79 | Horn button | 190/2 | EGR by-pass electrovalve |
| 18 | Oil pressure gauge sending unit | 42/2 | Windshield wiper/washer switch | 81 | Current receptacle | 191 | Button switch on clutch for fast idle |
| 18/1 | Low oil pressure indicator sending unit | 44 | Ignition switch | 84 | Washer pump motor | 192 | Button switch on transmission for fast idle |
| 18/2 | Engine water temperature gauge thermostat switch | 46 | Outer lighting switch | 85 | Courtesy light switch | 193 | Fast idle system pushbutton switch |
| 18/4 | Thermostatic switch for ignition mode relay | 49 | Heater fan switch | 87 | Courtesy light jumb switch | 194 | Button switch on driver's seat belt |
| 18/5 | Brake fluid level switch | 50 | Hazard warning signal switch with light | 93 | Fuel tank sending unit | 194/2 | Gear engaged button switch |
| 18/6 | Thermostatic switch for diverter valve by-pass system | 51 | Speedometer | 95 | Trunk light | | |
| 23 | Battery | 53 | Oil pressure gauge | 96 | Tail turn signal, stop and back-up lights unit | | |
| 24 | Back-up lights and 5th gear switch | 54 | Water temperature gauge | 98/1 | Rear side marker lights | | |
| 26 | Stop lights switch | 56 | Tachometer | 99 | License plate light | | |
| 28 | Fuse box | 57 | Fuel gauge | 104 | Thermostatic switch for engine cooling fan | | |
| 28/1 | Fuse, 25A | 59 | Clock | 115 | Radio connection | | |
| 30 | Turn signal flasher | 61 | Fuel reserve indicator | 116 | Power antenna motor | | |
| 31 | Windshield wiper intermittent switch | | | 122 | Power antenna switch | | |
| | | | | | | | |

1977 FUSES C, D, E, F

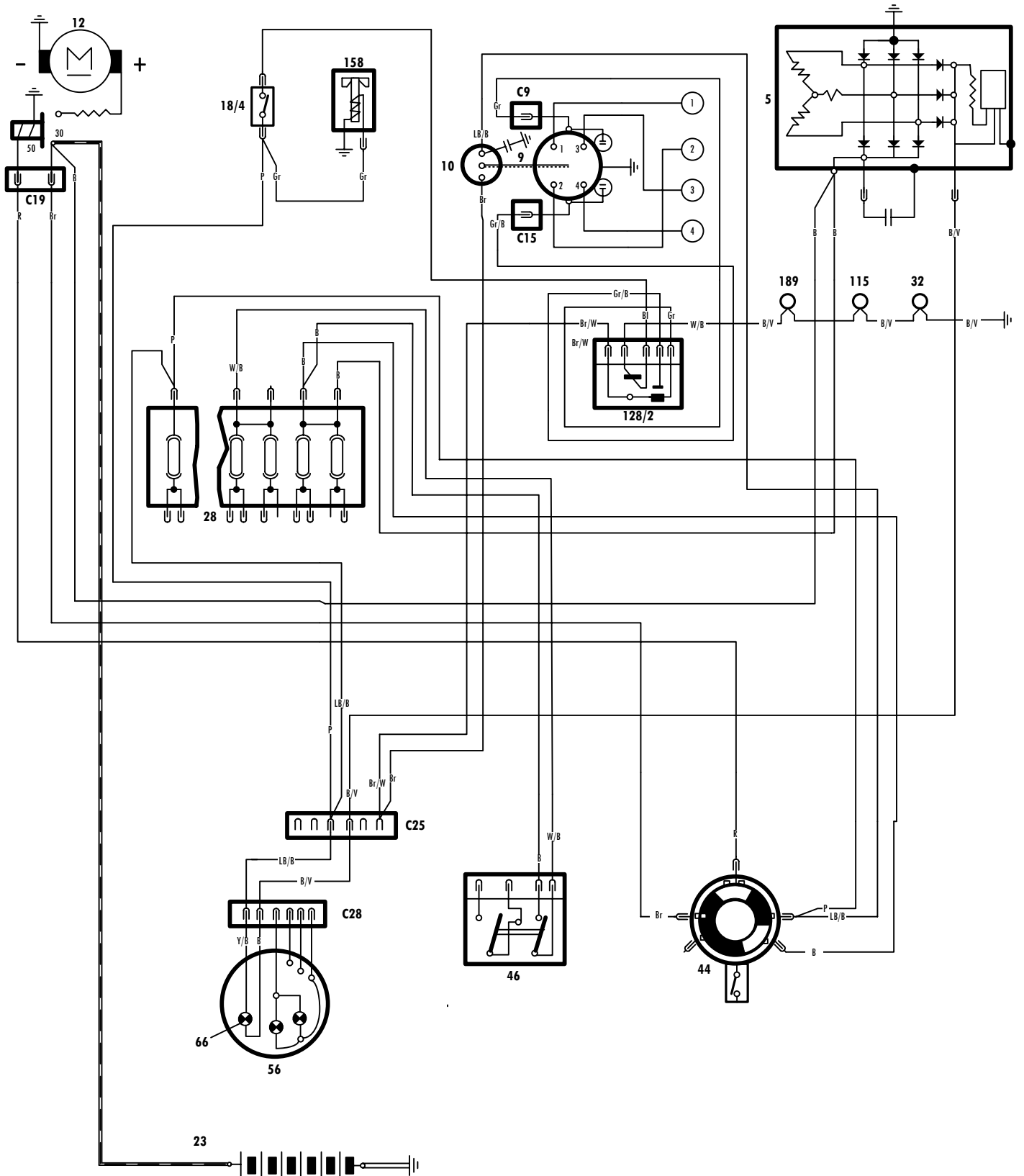


1	Left headlight	32	Hazard warning flasher	63	Low oil pressure indicator	126	Fasten belts and remove key buzzer
2	Left front parking light	33	Water temperature gauge resistor (22 OHM)	65/1	Hazard warning indicator	128/1	Fasten belts relay
3	Left front side marker	36	Windshield wiper motor	65/2	Brake system effectiveness and hand brake ON indicator	128/2	Ignition mode relay
5	Alternator	37	Heater fan motor	65/3	Fasten belts indicator	128/5	Diverter valve by-pass relay
9	Distributor	37/1	Engine fan motor	66	Battery charge indicator	158	Idle stop solenoid
10	Coil	40	Instrument lights rheostat switch	67	Parking light indicator	161	Ideogram light
12	Starter motor	40/1	Ideogram lighting selector	69	High beam indicator	169	Seat belt warning delay switch
14	Horn	41/1	Windshield wiper 2-speed switch	74	Cigarette lighter	190	Fast idle electrovalve
15	Horn relay	42	Turn signal switch	76	Hand brake ON switch	190/1	Diverter valve by-pass control valve
17	Engine water temperature gauge sending unit	42/1	High/low beam changer switch	79	Horn button	190/2	EGR by-pass electrovalve
18	Oil pressure gauge sending unit	42/2	Windshield wiper/washer switch	81	Current receptacle	191	Button switch on clutch for fast idle
18/1	Low oil pressure indicator sending unit	44	Ignition switch	84	Washer pump motor	192	Button switch on transmission for fast idle
18/2	Engine water temperature gauge thermostatic switch	46	Outer lighting switch	85	Courtesy light switch	193	Fast idle system pushbutton switch
18/4	Thermostatic switch for ignition mode relay	49	Heater fan switch	87	Courtesy light jamb switch	194	Button switch on driver's seat belt
18/5	Brake fluid level switch	50	Hazard warning signal switch with light	93	Fuel tank sending unit	194/2	Gear engaged button switch
18/6	Thermostatic switch for diverter valve by-pass system	51	Speedometer	95	Trunk light		
23	Battery	53	Oil pressure gauge	98	Tail, turn signal, stop and back-up lights unit		
24	Back-up lights and 5th gear switch	54	Water temperature gauge	98/1	Rear side marker lights		
26	Stop lights switch	56	Tachometer	99	License plate light		
28	Fuse box	57	Fuel gauge	104	Thermostatic switch for engine cooling fan		
28/1	Fuse, 25A	59	Clock	115	Radio connection		
30	Turn signal flasher	61	Fuel reserve indicator	116	Power antenna motor		
31	Windshield wiper intermittent switch			123	Power antenna switch		

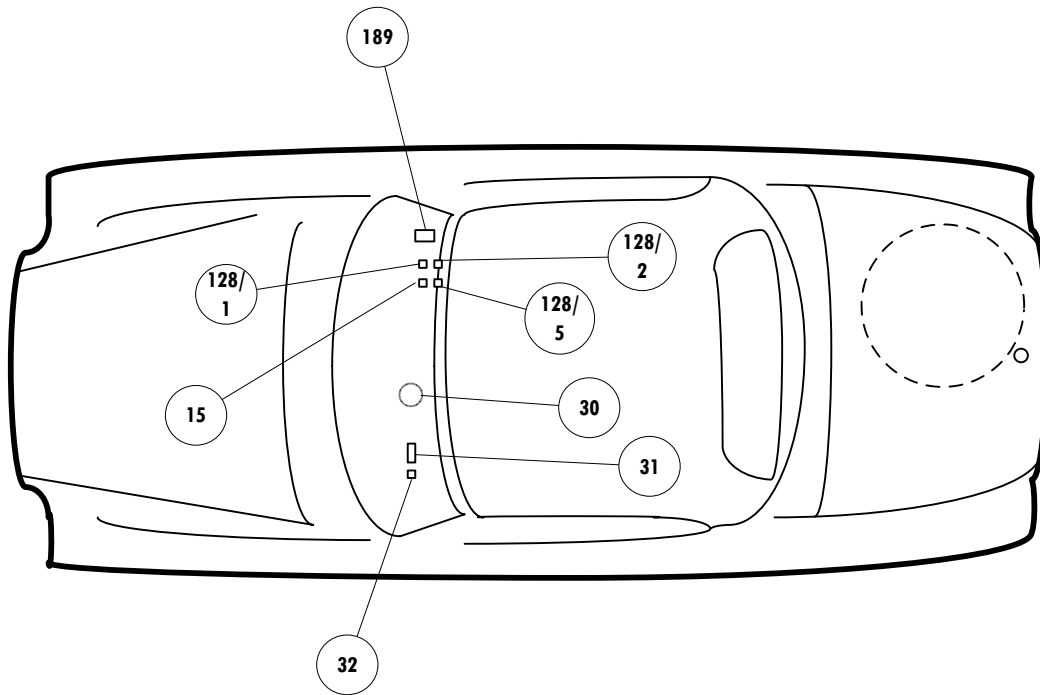


- | | | | | | | | |
|------|---|------|---|------|--|-------|--------------------------------|
| 1 | Left headlight | 32 | Hazard warning flasher | 63 | Low oil pressure indicator | 126 | Fuel tank sending unit |
| 2 | Left front parking light | 33 | Water temperature gauge resistor (22 OHM) | 65/1 | Hazard warning indicator | 128/1 | Ignition mode relay |
| 3 | Left front side marker | 36 | Windshield wiper motor | 65/2 | Brake system effectiveness and hand brake ON indicator | 128/2 | Ignition mode relay |
| 5 | Alternator | 37 | Heater fan motor | 65/3 | Fasten belts indicator | 128/5 | Ignition mode relay |
| 9 | Distributor | 37/1 | Engine fan motor | 66 | Battery charge indicator | 158 | Idle stop solenoid |
| 10 | Coil | 40 | Instrument lights rheostat switch | 67 | Parking light indicator | 161 | Idogram light |
| 12 | Starter motor | 40/1 | Windshield wiper/washer | 69 | High beam indicator | 169 | Seat belt warning delay switch |
| 14 | Horn | 41/1 | Windshield wiper 2-speed switch | 74 | Cigarette lighter | 190 | Fast idle electrovalve |
| 15 | Horn relay | 42 | Turn signal switch | 76 | Hand brake ON switch | 190/1 | Ignition mode relay |
| 17 | Engine water temperature gauge sending unit | 42/1 | High/low beam changeover switch | 79 | Horn button | 190/2 | Ignition mode relay |
| 18 | Oil pressure gauge sending unit | 42/2 | Windshield wiper/washer switch | 81 | Current receptacle | 191 | Ignition mode relay |
| 18/1 | Low oil pressure indicator sending unit | 44 | Ignition switch | 84 | Washer pump motor | 192 | Ignition mode relay |
| 18/2 | Engine water temperature gauge thermostatic switch | 46 | Outer lighting switch | 85 | Courtesy light switch | 193 | Ignition mode relay |
| 18/4 | Thermostatic switch for ignition mode relay | 49 | Heater fan switch | 87 | Courtesy light jumb switch | 194 | Ignition mode relay |
| 18/5 | Brake fluid level switch | 50 | Hazard warning signal switch with light | 93 | Fuel tank sending unit | 194/2 | Ignition mode relay |
| 18/6 | Thermostatic switch for diverter valve by-pass system | 51 | Speedometer | 95 | Trunk light | | |
| 23 | Battery | 53 | Oil pressure gauge | 98 | Tail, turn signal, stop and back-up lights unit | | |
| 24 | Back-up lights and 5th gear switch | 54 | Water temperature gauge | 98/1 | Rear side marker lights | | |
| 26 | Stop lights switch | 56 | Tachometer | 99 | License plate light | | |
| 28 | Fuse box | 57 | Fuel gauge | 104 | Thermostatic switch for engine cooling fan | | |
| 28/1 | Fuse, 25A | 59 | Clock | 115 | Radio connection | | |
| 30 | Turn signal flasher | 61 | Fuel reserve indicator | 116 | Power antenna motor | | |
| 31 | Windshield wiper intermittent switch | | | 123 | Power antenna switch | | |

1977 FUSES I, L



1	Left headlight	32	Hazard warning flasher	63	Low oil pressure indicator	126	Fasten belts and remove key buzzer
2	Left front parking light	33	Water temperature gauge resistor (22 OHM)	65/1	Hazard warning indicator	128/1	Fasten belts relay
3	Left front side marker	36	Windshield wiper motor	65/2	Brake system effectiveness and hand brake ON indicator	128/2	Ignition mode relay
5	Alternator	37	Heater fan motor	65/3	Fasten belts indicator	128/5	Diverter valve by-pass relay
9	Distributor	37/1	Engine fan motor	66	Battery charge indicator	158	Idle stop solenoid
10	Coil	40	Instruments lights rheostat switch	67	Parking light indicator	161	Idogram light
12	Starter motor	40/1	Ideogram lighting selectorometer	69	High beam indicator	169	Seat belt warning delay switch
14	Horn	41/1	Windshield wiper 2-speed switch	74	Cigarette lighter	190	Fast idle electrovalve
15	Horn relay	42	Turn signal switch	76	Hand brake ON switch	190/1	Diverter valve by-pass control valve
17	Engine water temperature gauge sending unit	42/1	High/low beam changeover switch	79	Horn button	190/2	EGR by-pass electrovalve
18	Oil pressure gauge sending unit	42/2	Windshield wiper/washer switch	81	Current receptacle	191	Button switch on clutch for fast idle
18/1	Low oil pressure indicator sending unit	44	Ignition switch	84	Washer pump motor	192	Button switch on transmission for fast idle
18/2	Engine water temperature gauge thermostatic switch	46	Outer lighting switch	85	Courtesy light switch	193	Fast idle system pushbutton switch
18/4	Thermostatic switch for ignition mode relay	49	Heater fan switch	87	Courtesy light jumb switch	194	Button switch on driver's seat belt
18/5	Brake fluid level switch	50	Hazard warning signal switch with light	93	Fuel tank sending unit	194/2	Gear engaged button switch
18/6	Thermostatic switch for diverter valve by-pass system	51	Speedometer	95	Trunk light		
23	Battery	53	Oil pressure gauge	98	Tail, turn signal, stop and back-up lights unit		
24	Back-up lights and 5th gear switch	54	Water temperature gauge	98/1	Rear side marker lights		
26	Stop lights switch	56	Tachometer	99	License plate light		
28	Fuse box	57	Fuel gauge	104	Thermostatic switch for engine cooling fan		
28/1	Fuse, 25A	59	Clock	115	Radio connection		
30	Turn signal flasher	61	Fuel reserve indicator	116	Power antenna motor		
31	Windshield wiper intermittent switch			123	Power antenna switch		



189	SEAT BELT WARNING DELAY SWITCH	4357723
128/1	FASTEN BELTS RELAY	
128/2	IGNITION MODE RELAY	4320627
15	HORN RELAY	4320629-4337067
128/5	DIVERTER VALVE BY-PASS RELAY (CALIFORNIA ONLY)	4320626-4337068
31	WINDSHIELD WIPER INTERMITTENT SWITCH	4177176
32	HAZARD WARNING FLASHER	4200679
30	TURN SIGNAL FLASHER	4300635

1	Left headlight	32	Hazard warning flasher	63	Low oil pressure indicator	126	Fasten belts and remove key buzzer
2	Left front parking light	33	Water temperature gauge resistor (22 OHM)	65/1	Hazard warning indicator	128/1	Fasten belts relay
3	Left front side marker	36	Windshield wiper motor	65/2	Brake system effectiveness and hand brake ON indicator	128/2	Ignition mode relay
5	Alternator	37	Heater fan motor	65/3	Fasten belts indicator	128/5	Diverter valve by-pass relay
9	Distributor	37/1	Engine fan motor	66	Battery charge indicator	150	Idle stop solenoid
10	Coil	40	Instruments lights rheostat switch	67	Parking light indicator	161	Ideogram light
12	Starter motor	40/1	Ideogram lighting potentiometer	69	High beam indicator	189	Seat belt warning delay switch
14	Horn	41/1	Windshield wiper 2-speed switch	74	Cigarette lighter	190	Fast idle electrovalve
15	Horn relay	42	Turn signal switch	76	Hand brake ON switch	190/1	Diverter valve by-pass control valve
17	Engine water temperature gauge sending unit	42/1	High/low beam changer switch	79	Horn button	190/2	CBR by-pass electrovalve
18	Oil pressure gauge sending unit	42/2	Windshield wiper/washer switch	81	Current receptacle	191	Button switch on clutch for fast idle
18/1	Low oil pressure indicator sending unit	44	Ignition switch	84	Washer pump motor	192	Button switch on transmission for fast idle
18/2	Engine water temperature gauge thermostatic switch	46	Outer lighting switch	85	Courtesy light with switch	193	Fast idle system pushbutton switch
18/4	Thermostatic switch for ignition mode relay	49	Heater fan switch	87	Courtesy light jamb switch	194	Button switch on driver's seat belt
18/5	Brake fluid level switch	50	Hazard warning signal switch with light	93	Fuel tank sending unit	194/2	Gear engaged button switch
18/6	Thermostatic switch for diverter valve by-pass system	51	Speedometer	95	Trunk light		
23	Battery	53	Oil pressure gauge	98	Tail, turn signal, stop and back-up lights unit		
24	Back-up lights and 5th gear switch	54	Water temperature gauge	98/1	Rear side marker lights		
26	Stop lights switch	56	Tachometer	99	License plate light		
28	Fuse box	57	Fuel gauge	104	Thermostatic switch for engine cooling fan		
28/1	Fuse, 25A	59	Clock	115	Radio connection		
30	Turn signal flasher	61	Fuel reserve indicator	116	Power antenna motor		
31	Windshield wiper intermittent switch			123	Power antenna switch		

1977 RELAY CONTROL CIRCUITS

1	Left headlight	81	Current receptacle
2	Left front parking light	84	Washer pump motor
3	Left front side marker	85	Courtesy light with switch
5	Alternator	87	Courtesy light jamb switch
9	Distributor	93	Fuel tank sending unit
10	Coil	95	Trunk light
12	Starter motor	98	Tail, turn signal, stop and back-up lights unit
14	Horn	98/1	Rear side marker lights
15	Horn relay	99	License plate lights
17	Engine water temperature gauge sending unit	104	Thermostatic switch for engine cooling fan
18	Oil pressure gauge sending unit	115	Radio connection
18/1	Low oil pressure indicator sending unit	116	Power antenna motor
18/2	Engine water temperature gauge thermostatic switch	123	Power antenna switch
18/4	Thermostatic switch for ignition mode relay	126	Fasten belts and remove key buzzer
18/5	Brake fluid level switch	128/1	Fasten belts relay
18/6	Thermostatic switch for diverter valve by-pass system	128/2	Ignition mode relay
23	Battery	128/5	Diverter valve by-pass relay
24	Back-up lights and 5th gear switch	158	Idle stop solenoid
26	Stop lights switch	161	Ideogram light
28	Fuse box	189	Seat belt warning delay switch
28/1	Fuse, 25A	190	Fast idle electrovalve
30	Turn signal flasher	190/1	Diverter valve by-pass control valve
31	Windshield wiper intermittent switch	190/2	EGR by-pass electrovalve
32	Hazard warning flasher	191	Button switch on clutch for fast idle
33	Water temperature gauge resistor (32 OHM)	192	Button switch on transmission for fast idle
36	Windshield wiper motor	193	Fast idle system pushbutton switch
37	Heater fan motor	194	Button switch on driver's seat belt
37/1	Engine fan motor	194/2	Gear engaged button switch
40	Instruments lights rheostat switch		
40/1	Ideogram lighting potentiometer		
41/1	Windshield wiper 2-speed switch		
42	Turn signal switch		
42/1	Highlow beam changeover switch		
42/2	Windshield wiper/washer switch		
44	Ignition switch		
46	Outer lighting switch		
49	Heater fan switch		
50	Hazard warning signal switch with light		
51	Speedometer		
53	Oil pressure gauge		
54	Water temperature gauge		
56	Tachometer		
57	Fuel gauge		
59	Clock		
61	Fuel reserve indicator		
63	Low oil pressure indicator		
65/1	Hazard warning indicator		
65/2	Brake system effectiveness and hand brake ON indicator		
65/3	Fasten belts indicator		
66	Battery charge indicator		
67	Parking light indicator		
69	High beam indicator		
74	Cigarette lighter		
76	Hand brake ON switch		
79	Horn button		